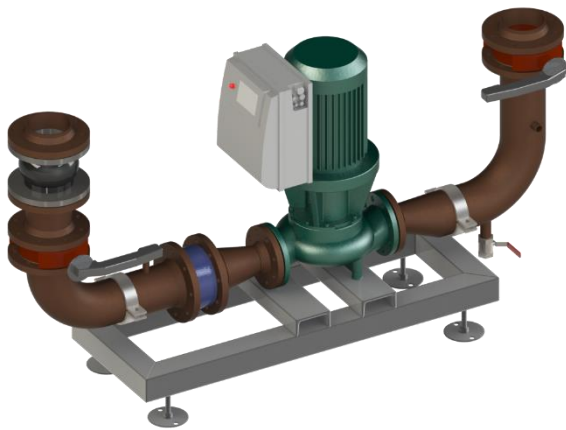
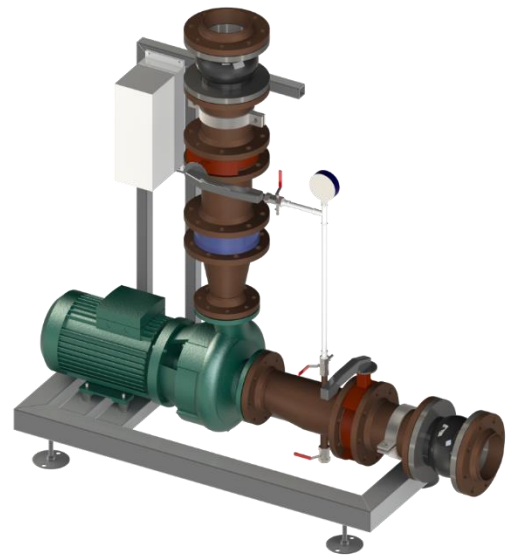


FlowTek single circulation pump unit

Circulation pump flow range 2 – 518 m³/h



Example of SP65 – SP300 in-line unit types



Example of SP65 – SP300 angle unit types

Benefits:

- Compact size for an easy installation and transport.
- Space and time savings during on-site installation.
- Completely mounted on frame with adjustable feet.
- Easy to install and maintain.
- Good access to maintenance components.
- Possibility to choose pump model and range.
- Customization according to the project parameters, pipe sizes and mounting locations.

Product information:

Prefabricated and ready-to-connect FlowTek circulation pumps unit can be easily adapted to heating or cooling systems. It can be chosen in 2 design versions: with in-line circulation pumps and with angle type circulation pumps. Moreover pipeline steel quality can be select from - black steel P235TR1 and stainless steel AISI316L. FlowTek circulation pumps unit is designed to be floor mounted. All components are fixed to the frame, that provides a robust design. Circulation pumps, pipes with all fittings and all of piping components arrives as one module, so it ensures space and time savings for on-site installation. All piping components are equipped with high quality and world recognized brands, that ensures high performance during operation time. FlowTek double circulation pumps unit comes as standart with Grundfos (alt. Wilo) circulation pumps. The module is designed as standart product and is available in different performance ranges, but can be easily adjusted according to the project parameters, such as circulation pumps flow and head rates, pipeline sizes, pipe mounting locations and other desired design versions.

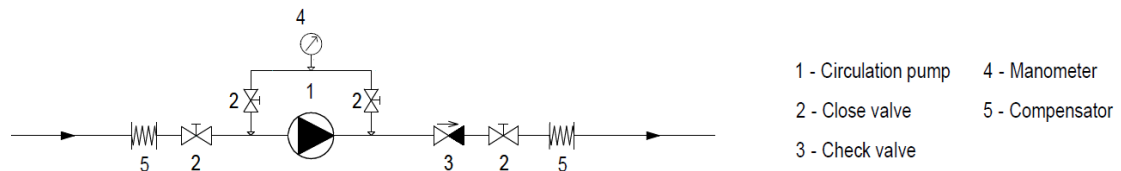
Technical information:

FlowTek single in-line circulation pump unit technical parameters:

Type	SP32	SP40	SP50	SP65	SP80	SP100	SP125	SP150	SP200	SP250	SP300
Pipe diameter	DN32	DN40	DN50	DN65	DN80	DN100	DN125	DN150	DN200	DN250	DN300
Max flow, m ³ /h	2	3	5.5	11	16	32	55	90	178	324	518
Max head, kPa	150	150	150	150	150	150	150	150	150	150	150

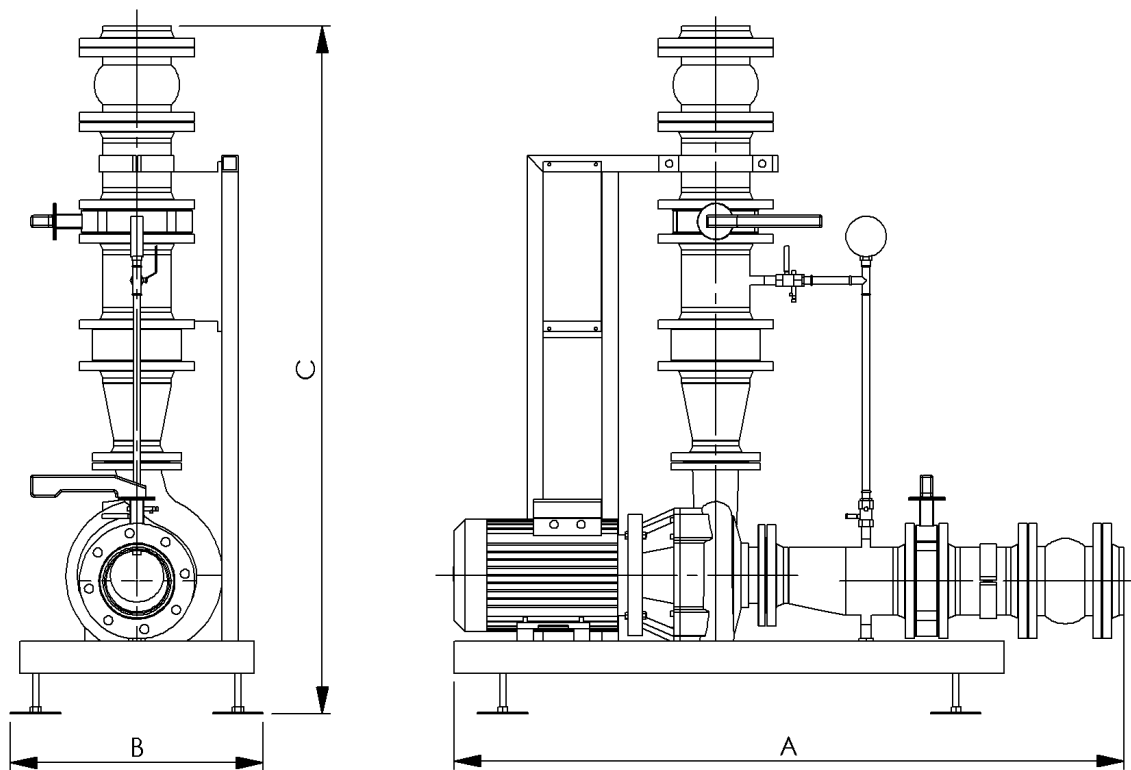
* Flow parameters are given at medium water 60/35°C ($\Delta T=25$). With other medium and ΔT meanings maximum flow parameters may vary.

Principal scheme and components:



Principal scheme shows components and operating principle of single in-line circulation pump module.

Single angle version dimensions and weight:

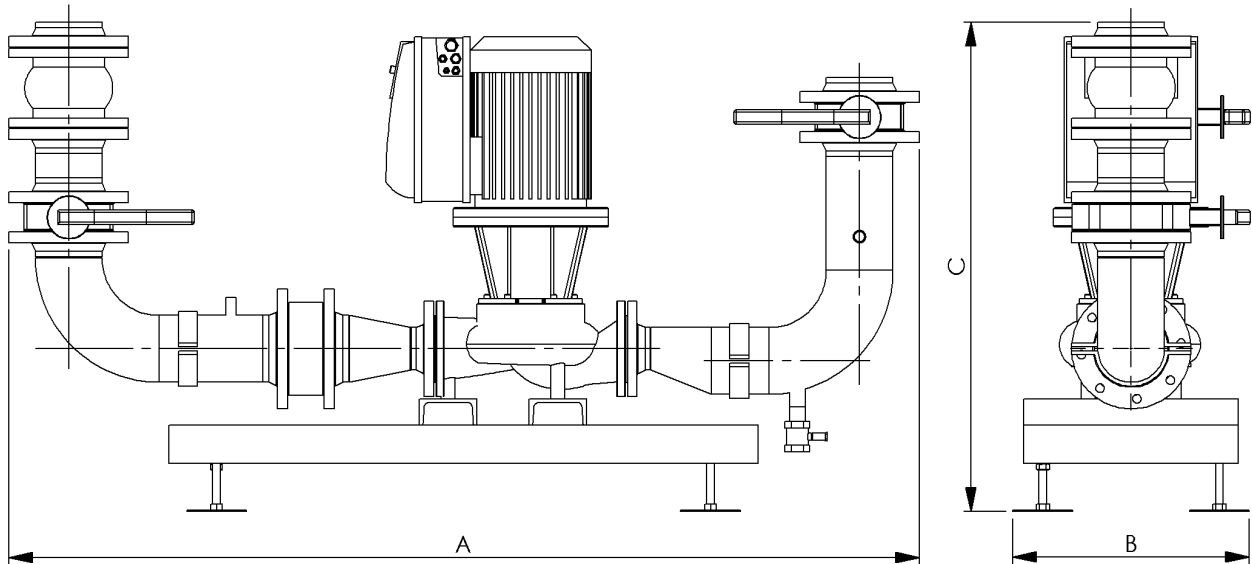


Dimension layouts of SP65 – SP300 angle unit types

Type	SP32	SP40	SP50	SP65	SP80	SP100	SP125	SP150	SP200	SP250	SP300
A – Length mm	On request			1100	1300	1500	1600	1700	1900	2200	2500
B – Width mm	On request			500	550	600	620	650	700	800	900
C – Height mm	On request			1100	1200	1300	1500	1700	1900	2100	2300
Net weight, kg	On request			200	250	300	350	400	600	800	1000

* Approximately dimensions and weight. Depending on the project requirements, pipe connections, type of pumps dimensions may vary.

Single in-line version dimensions and weight:



Dimension layouts of SP65 – SP300 in-line unit types

Type	SP32	SP40	SP50	SP65	SP80	SP100	SP125	SP150	SP200	SP250	SP300
A – Length mm	On request			1200	1500	1800	2100	2300	2700	3000	3300
B – Width mm	On request			420	450	500	550	600	700	800	900
C – Height mm	On request			900	1000	1100	1200	1300	1500	1700	1900
Net weight, kg	On request			200	250	300	350	400	600	800	1000

* Approximately dimensions and weight. Depending on the project requirements, pipe connections, type of pumps dimensions may vary.

Available other design layout:

FlowTek single circulation pump unit is available in two different setups: with in-line circulation pump and angle circulation pump. Also pipe connections can be designed in horizontally or vertically way. Other design layouts can be ordered according to customer requirements. FlowTek circulation pump unit connection points can be easily adapted to project parameters.

