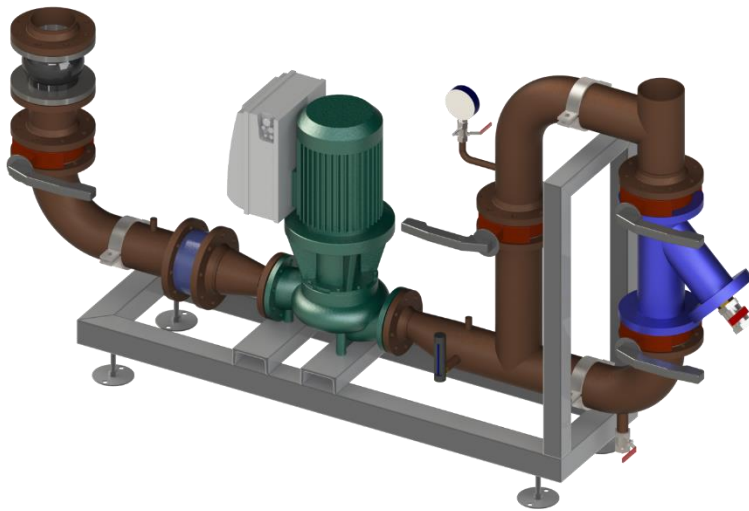


FlowTek single circulation pump & filter unit

Circulation pump flow range 2 – 518 m³/h



Example of SPF65 – SPF300 unit types

Benefits:

- Compact size for an easy installation and transport.
- Space and time savings during on-site installation.
- Completely mounted on frame with adjustable feet.
- Easy to install and maintain.
- Good access to maintenance components.
- Possibility to choose filter, pump model and range.
- Customization according to the project parameters, pipe sizes and mounting locations.

Product information:

Prefabricated and ready-to-connect FlowTek single circulation pump & filter unit can be easily adapted for heating or cooling systems. The standart and prefabricated unit can be chosen between 2 design versions: with in-line circulation pump and with angle circulation pump. Also customer can choose pipe materials according to project parameters: black steel P235TR1 usually for heating system and stainless steel AISI316 usually for cooling system. Prefabricated FlowTek circulation pumps with filter unit is designed to be floor mounted. All components are mounted on frame, that provides a robust design. Circulation pumps, filters, piping and all other piping components comes as one module, so it ensures space and time savings for on-site installation. Preftek uses only high quality and world recognized components, that ensures high performance during operation time. FlowTek unit comes as standart with Grundfos (alt. Wilo) circulation pumps. Preftek offers standart range of FlowTek products however it can be easily adjusted according to the project parameters, such as circulation pumps flow and head rates, pipeline sizes and pipe mounting locations.

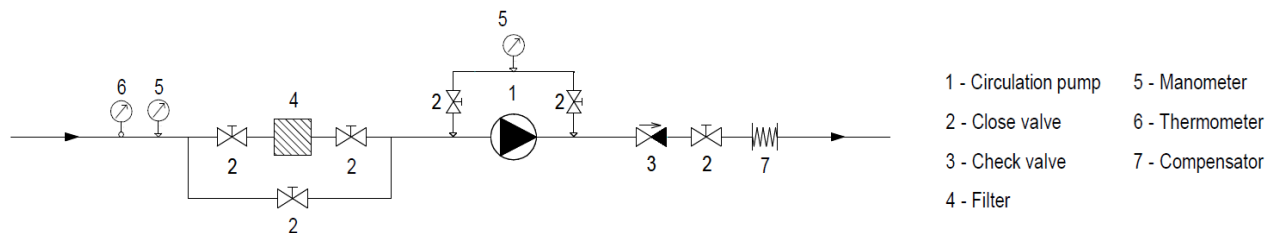
Technical information:

FlowTek single circulation pump with filter unit technical parameters:

Type	SPF32	SPF40	SPF50	SPF65	SPF80	SPF100	SPF125	SPF150	SPF200	SPF250	SPF300
Pipe diameter	DN32	DN40	DN50	DN65	DN80	DN100	DN125	DN150	DN200	DN250	DN300
Max flow, m ³ /h	2	3	5.5	11	16	32	55	90	178	324	518
Max head, kPa	150	150	150	150	150	150	150	150	150	150	150

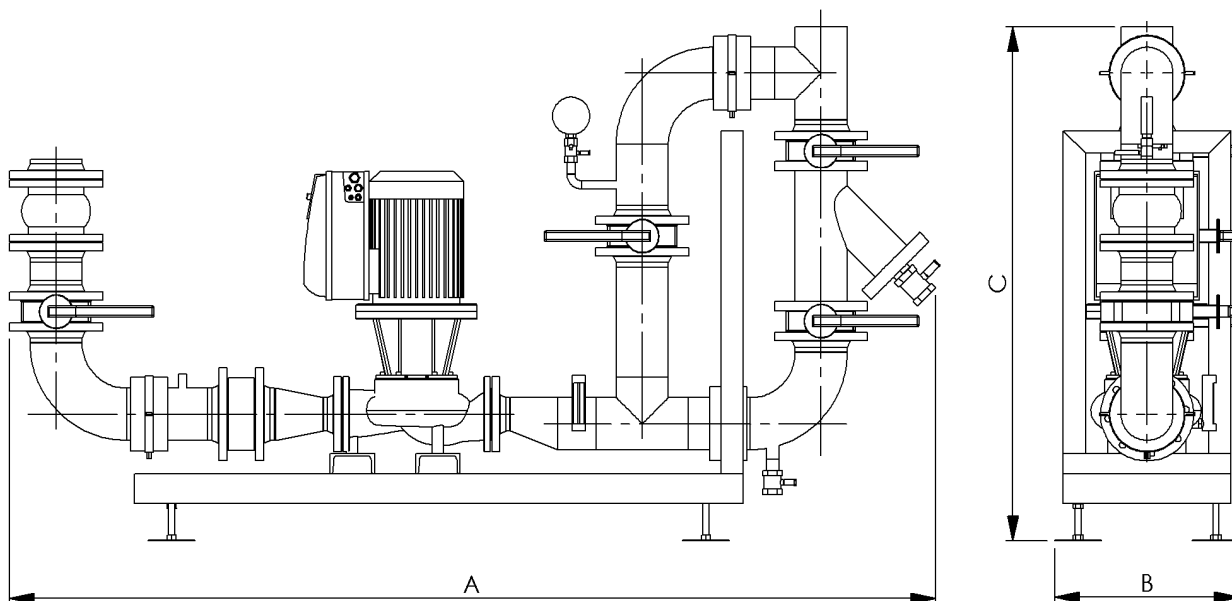
* Flow parameters are given at medium water 60/35°C (ΔT=25). With other medium and ΔT meanings maximum flow parameters may vary.

Principal scheme and components:



* Principal scheme shows components and operating principle of single circulation pump with filter unit.

Dimensions and weight:



Dimension layouts of SPF65 – SPF300 unit types

Type	SPF32	SPF40	SPF50	SPF65	SPF80	SPF100	SPF125	SPF150	SPF200	SPF250	SPF300
A – Length mm	On request			1500	1900	2200	2500	2700	2900	3200	3400
B – Width mm	On request			420	450	500	550	600	700	800	900
C – Height mm	On request			1100	1300	1400	1500	1600	1800	2000	2200
Net weight, kg	On request			250	300	350	400	600	800	1000	1200

* Approx. dimensions. Depending on the customer requirements, connections, type of pump the dimensions may vary.

Available other design layout:

FlowTek single circulation pump with filter unit is designed as standart product and is available in two different installation versions: with in-line circulation pump and angle circulation pump. Also pipe connections can be designed in horizontally or vertically way. Other design layouts can be ordered according to customer requirements.

