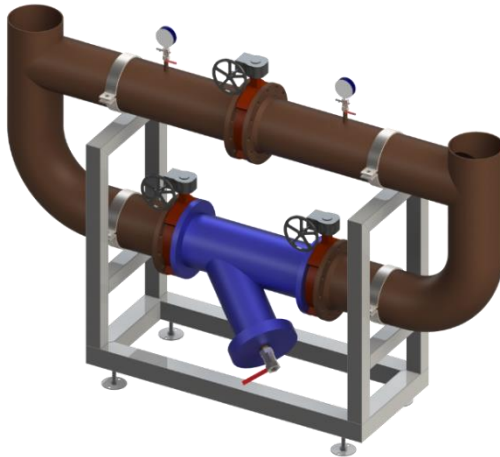


## CleanTek filter unit

Flow range 2 – 518 m<sup>3</sup>/h



Example of F65 – F300 unit types

### Benefits:

- Compact size for an easy installation and transport.
- Space and time savings during on-site installation.
- Completely mounted on frame with adjustable feet.
- Easy to install and maintain.
- Good access to maintenance components.

### Product information:

Prefabricated and ready-to-connect CleanTek filter unit can be easily adapted for heating or cooling systems. The standart unit can be chosen between 2 types of piping quality: black steel P235TR1 usually for heating system and stainless steel AISI316 usually for cooling system. Prefabricated unit is designed as standart product and available in different performance ranges, but can be easily adjusted according to the project parameters, such as pipeline sizes, filter mesh size and other design layouts.

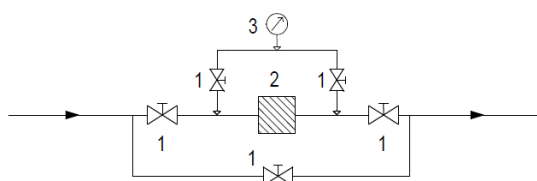
### Technical information:

CleanTek filter unit technical parameters:

Type	F32	F40	F50	F65	F80	F100	F125	F150	F200	F250	F300
Pipe / filter diameter	DN32	DN40	DN50	DN65	DN80	DN100	DN125	DN150	DN200	DN250	DN300
Max flow, m <sup>3</sup> /h	on request			11	16	32	55	90	178	324	518

\* Flow parameters are given at medium water 60/35°C (ΔT=25). With other medium and ΔT meanings maximum flow parameters may vary.

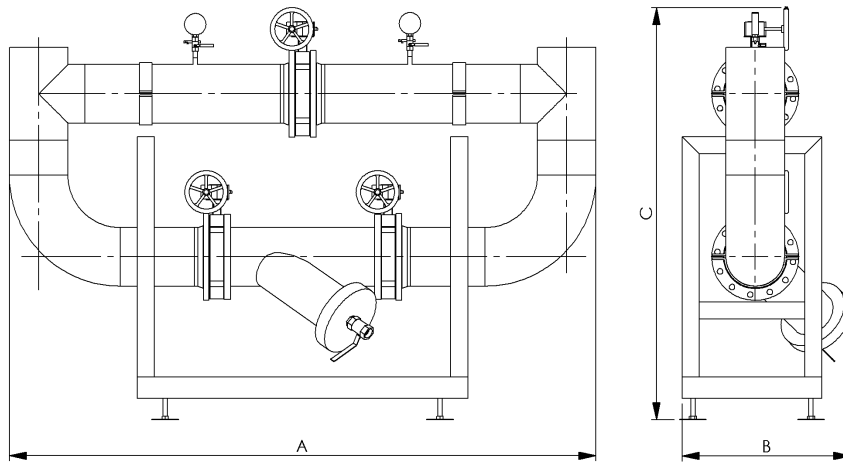
### Principal scheme and components:



- 1 - Close valve
- 2 - Filter
- 3 - Manometer

\* Principal scheme shows components and operating principle of CleanTek prefabricated filter unit.

## Dimensions and weight:



Dimension layouts of F65 – F300 unit types

Type	F32	F40	F50	F65	F80	F100	F125	F150	F200	F250	F300
A – Length mm	on request			1100	1400	1700	2000	2200	2400	2750	2800
B – Width mm	on request			420	450	500	550	600	700	800	900
C – Height mm	on request			1300	1400	1500	1600	1700	1800	1900	2000
Net weight, kg	on request			200	250	300	350	400	450	650	700

\* Approx. dimensions. Depending on the different filter versions, mounting connections, dimensions may vary.

## Available other design layout:

CleanTek filter unit is designed as standart product and is available in few different installation versions. Also installation can be easily adjusted according to the project parameters, mounting locations and other requirements.

