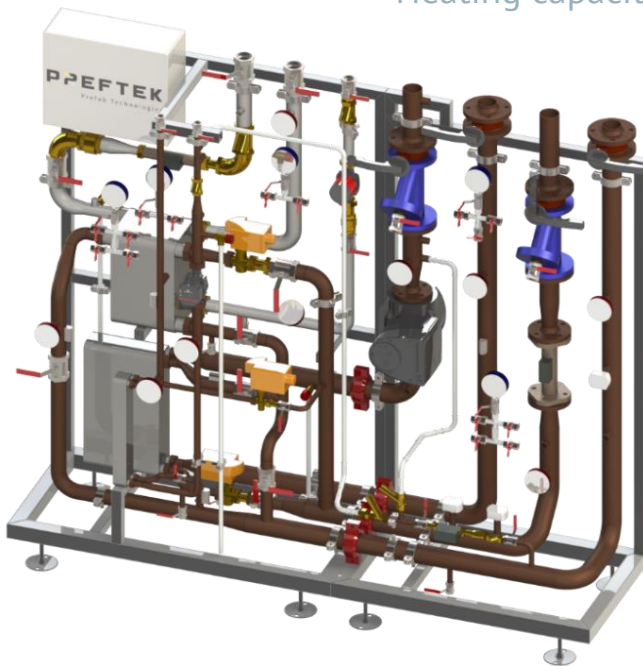


EnerTek district heating plant

Heating capacity 90-750 kW, DHW capacity 58-245kW



Benefits:

- Compact size for an easy installation and transport.
- Space and time savings during on-site installation.
- Completely mounted on frame with adjustable feet.
- Easy to install and maintain.
- Good access to maintenance components.
- Possibility to choose pump model, heat exchangers and control valves with actuators.
- Customization according to the specific project parameters / mounting locations.

Product information:

Prefabricated and ready-to-connect indirect EnerTek district heating plant up to 3 circuits for heating, domestic hot water production and other water-based heating systems. Preftek district heating plant is a factory assembled module to function as a complete heating plant for commercial/residential buildings connected to district heating networks. It has its own automation system equipped in main automation board. Automation is based on Danfoss ECL310 controller. The unit consist of fully welded black steel P235TR1 pipe materials for heating system and galvanized steel or stainless steel AISI316 piping for DHW production. District heating plant is designed to be floor mounted. All components are mounted on frame, that provides a robust design. EnerTek district heating plant is equipped with high quality and world recognized components, that ensures high performance during operation time. Due to its flexibility, it is possible to make combinations between modules if more circuits are required. Moreover if there is a limited access to the technical room, heating subsentral could be delivered in two seperate modules.

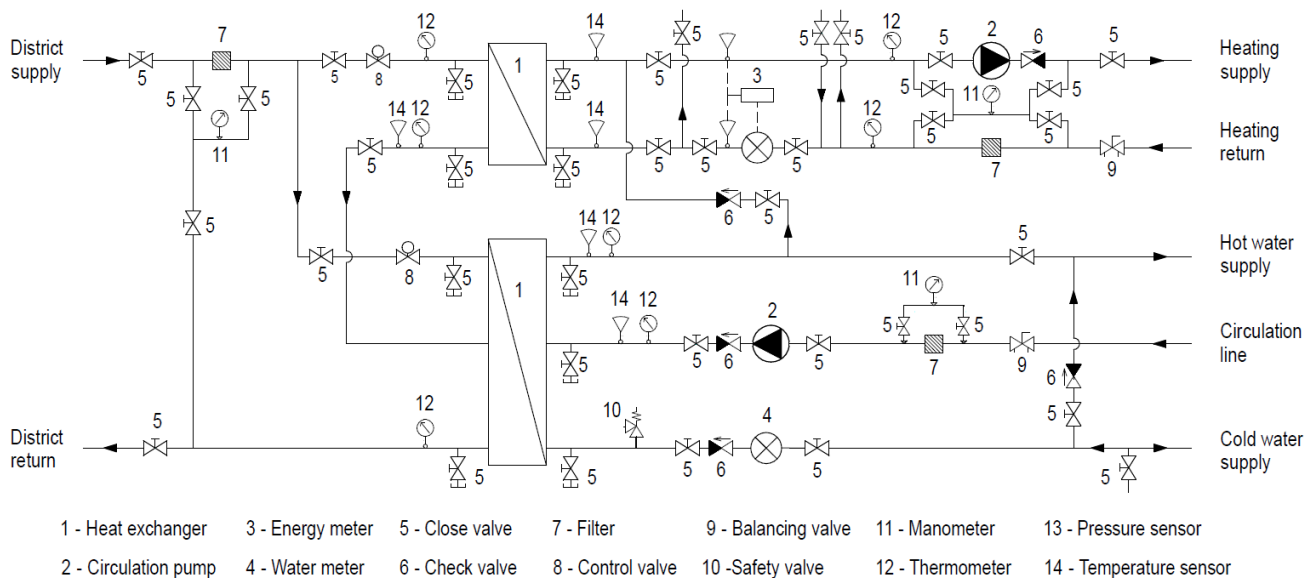
Technical information:

EnerTek district heating plant technical parameters:

Type	DHP100	DHP150	DHP250	DHP350	DHP450	DHP550	DHP750
Max flow heating side, m3/h	3.9	6.5	10.3	16.1	20.4	23.7	32.3
Max head heating side, kPa	80	90	120	120	150	150	150
Max Heating capacity, kW	90	90-150	150-240	240-375	375-475	475-550	550-750
Max DHW capacity, kW	58	60-75	75-105	105-135	135-170	170-190	190-245

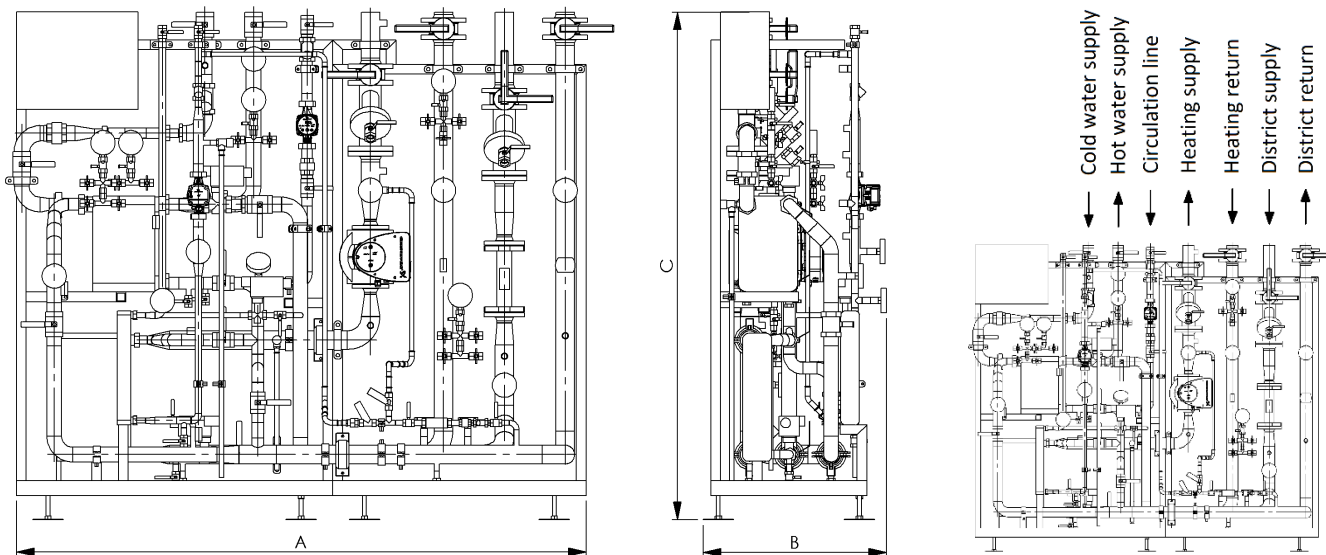
* Flow parameters are given at: district side medium water $\Delta T = 37^{\circ}\text{C}$, secondary side medium water, heating side $\Delta T = 20^{\circ}\text{C}$ and DHW side $\Delta T = 30^{\circ}\text{C}$. With other medium and ΔT meanings maximum flow parameters may vary.

Principal scheme and components:



* Principal scheme shows components and operating principle of EnerTek district heating plant.

Dimensions and weight:



Type	DHP100	DHP150	DHP250	DHP350	DHP450	DHP550	DHP750
A – Length, mm	2100	2200	2350	2400	2500	2500	2600
B – Width, mm	750	750	760	780	800	800	800
C – Height, mm	2000	2000	2100	2100	2200	2200	2300
Net weight, kg	450	500	550	600	650	700	750

* Approx. dimensions. Depending on the customer requirements, connections, type of pumps the dimensions may vary.

Pipeline sizes:

Standard EnerTek unit pipeline sizes for district heating side, heating side and DHW side.

Type	DHP100	DHP150	DHP250	DHP350	DHP450	DHP550	DHP750
District heating side, diam.	DN40	DN50	DN65	DN65	DN80	DN80	DN100
Heating side, diameter	DN50	DN50	DN65	DN80	DN100	DN100	DN100
DHW side, diameter	DN20	DN25	DN25	DN32	DN32	DN40	DN40