

VoluTEK tanks

Volumes range 500 – 5000 ltr.















Benefits:

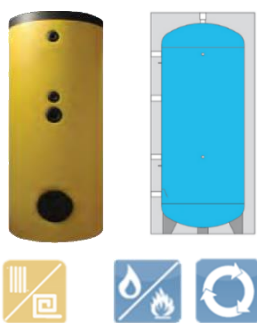
- Volumes range from 500 – 5000ltr.
- S235JR for Heating accumulation.
- AISI 316L for DHW application.
- AISI 304 for cooling application.
- Ability to install electrical elements.
- Easy to install and maintain.
- Possibility to choose connection type and diameter.
- Pressure class PN6-PN10.
- Ability to choose insulation type.
- Possible to order customized models.

Product information:

Accumulation tanks are used for storing the excess water to maximize the energy use for heating or cooling systems. When heat sources operating, excess heat can be generated which can be used. Accumulation tanks optimize the operation of heat source units and equal heat supply for the system. VoluTek tanks are dedicated to storage of heat transfer fluid in closed heating systems, domestic hot water (DHW) systems and storage of cooling energy. Preftek offers three different accumulation tank models: VoluTEK BS, VoluTEK SS and VoluTEK RF.

Product list

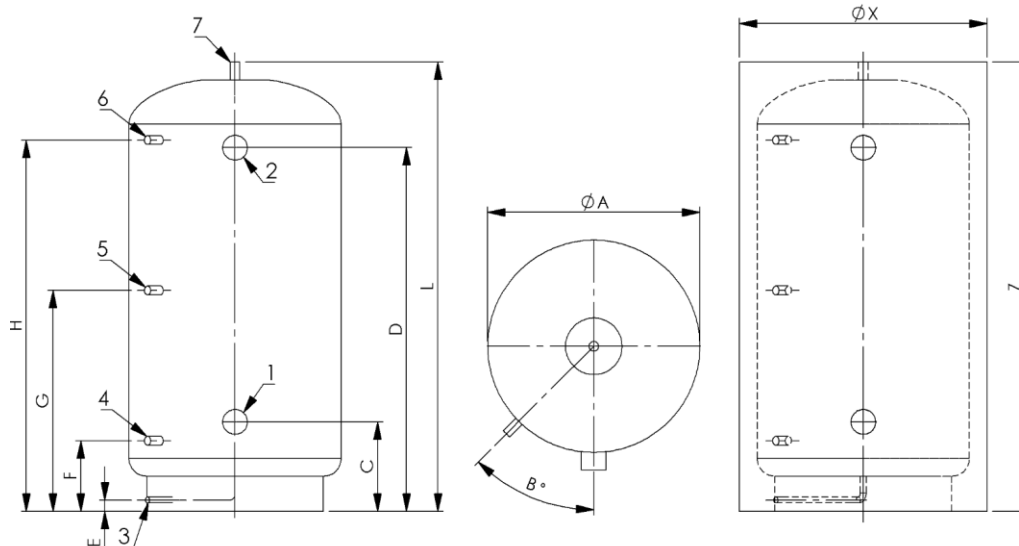
	Volutek BS				2	
	Volutek SS					3
	Volutek RF				4	



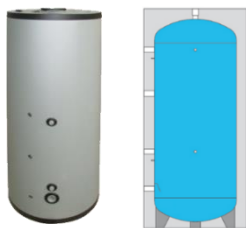
- Dedicated to storage of heat transfer fluid in closed heating systems.
- Desalinated water and ethylene propylene glycol mixtures up to 40% concentration can be used.
- Volumes range from 500 – 5000ltr.
- S235JR for Heating accumulation.
- Ability to install electrical elements.
- Possibility to choose connection type and diameter.
- Pressure class PN6-PN10
- Easy to install and maintain.
- Ability to choose insulation type.
- Possible to order customized models.

Type / Model	VoluTEK BS – PN6					VoluTEK BS – PN10				
	600	800	1000	1400	2000	600	800	1000	1400	2000
Volume, L	470	800	1000	1380	2040	470	800	1000	1380	2040
Weight, kg	91	122	145	227	290	120	160	192	282	359
Pressure class, bar	PN6					PN10				PN8
Steel quality	S235JR									
Insulation	Soft polyurethane layer 100 mm + PVC coating									
Optional	19mm of condense free, closed cell isolation & 50mm of Soft polyurethane layer + PVC coating									

Dimensions & Connections



Dimensions / Model	VoluTEK BS – PN6					VoluTEK BS – PN10				
	600	800	1000	1400	2000	600	800	1000	1400	2000
Height - Z, mm	1883	1876	2276	2187	2109	1883	1876	2276	2187	2109
Diameter ØA mm	600	790	790	1000	1200	600	790	790	1000	1200
Diameter with isolation - ØX, mm	800	990	990	1200	1400	800	990	990	1200	1400
H, mm	1583	1539	1939	1810	1694	1583	1539	1939	1810	1694
G, mm	-	-	-	1050	1009	-	-	-	1050	1009
F, mm	213	269	269	290	324	213	269	269	290	324
E, mm	108	164	164	185	219	108	164	164	185	219
D, mm	1583	1539	1939	1810	1694	1583	1539	1939	1810	1694
C, mm	213	269	269	290	324	213	269	269	290	324
Connections										
Inlet – 1	G 1"	G 1"	G 1 ½"	G 2"	G 2"	G 1"	G 1"	G 1 ½"	G 2"	G 2"
Outlet – 2	G 1"	G 1"	G 1 ½"	G 2"	G 2"	G 1"	G 1"	G 1 ½"	G 2"	G 2"
Drainage point – 3	G 1"									
Additional conn. - 4, 5, 6	G ½"									
Air vent point - 7	G ½"									

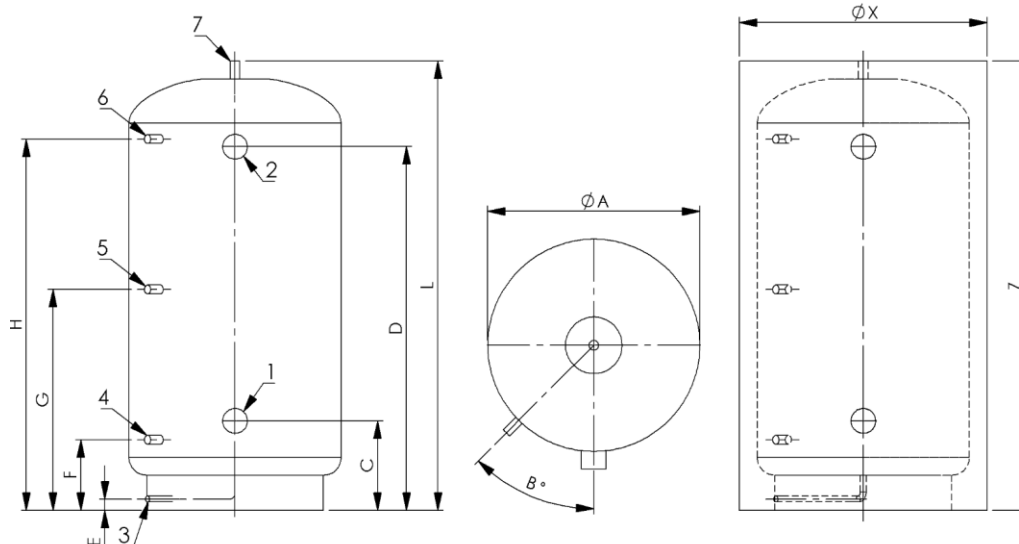


- Dedicated to storage of DHW.
- Can be used for any other kind of applications
- Volumes range from 500 – 5000ltr.
- Materials quality – AISI 316L.
- Ability to install electrical elements
- Easy to install and maintain.
- Possibility to choose connection type and diameter.
- Pressure class PN6-PN10
- Ability to choose insulation type.
- Possible to order customized models.



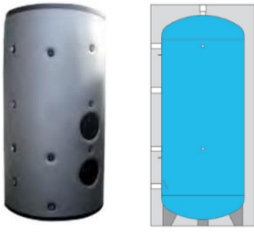
	VoluTEK SS – PN6					VoluTEK SS – PN10				
Type / Model	600	800	1000	1400	2000	600	800	1000	1400	2000
Volume, L	470	730	1000	1500	2040	470	730	1000	1500	2040
Weight, kg	64	113	145	190	290	91	148	192	250	359
Pressure class, bar	PN6					PN10				
Steel quality	AISI 316L (1.4404)									
Insulation	Soft polyurethane layer 100 mm + PVC coating									
Optional	19mm of condense free, closed cell isolation & 50mm of Soft polyurethane layer + PVC coating									

Dimensions & Connections



	VoluTEK SS – PN6					VoluTEK SS – PN10				
Dimensions / Model	600	800	1000	1400	2000	600	800	1000	1400	2000
Height - Z, mm	1883	1726	2276	2398	2109	1883	1726	2276	2398	2109
Diameter ØA mm	600	790	790	950	1200	600	790	790	950	1200
Diameter with isolation - ØX, mm	800	990	990	1150	1400	800	990	990	1150	1400
H, mm	1583	1389	1939	2031	1694	1583	1389	1939	2031	1694
G, mm	-	-	-	1156	1009	-	-	-	1156	1009
F, mm	213	269	269	281	324	213	269	269	281	324
E, mm	108	164	164	176	219	108	164	164	176	219
D, mm	1583	1389	1939	2031	1694	1583	1389	1939	2031	1694
C, mm	213	269	269	281	324	213	269	269	281	324
Connections										
Inlet – 1	G 1"	G 1"	G 1 ½"	G 2"	G 2"	G 1"	G 1"	G 1 ½"	G 2"	G 2"
Outlet – 2	G 1"	G 1"	G 1 ½"	G 2"	G 2"	G 1"	G 1"	G 1 ½"	G 2"	G 2"
Drainage point – 3	G 1"									
Additional conn. – 4, 5, 6	G ½"									
Air vent point – 7	G ½"									

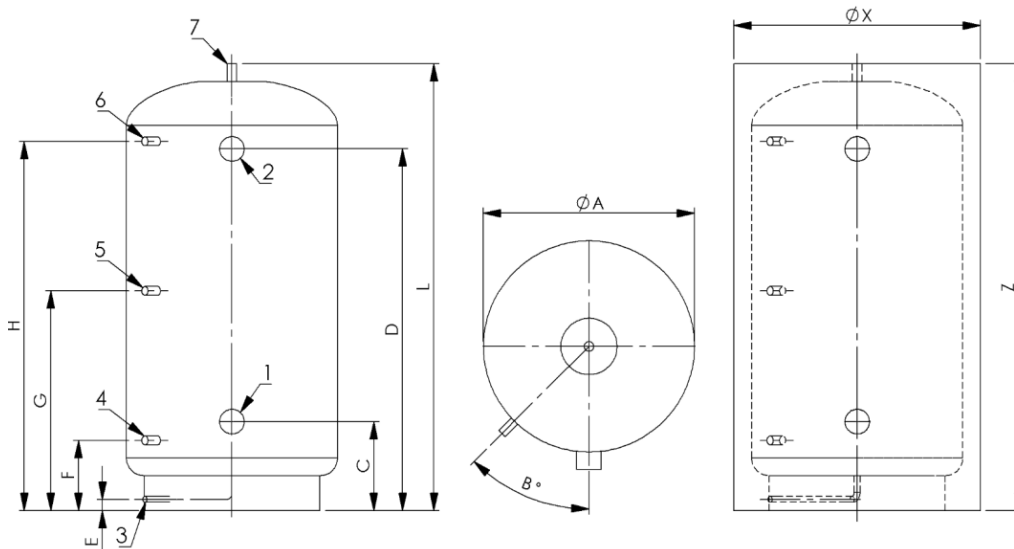




- Dedicated to storage of cooling energy.
- Can be used for any other kind of applications.
- Volumes range from 500 – 5000ltr.
- Materials quality – AISI 304L
- Easy to install and maintain.
- Possibility to choose connection type and diameter.
- Pressure class PN6-PN10
- Ability to choose insulation type.
- Possible to order customized models.

Type / Model	VoluTEK RF – PN6					VoluTEK RF – PN10				
	600	800	1000	1400	2000	600	800	1000	1400	2000
Volume, L	470	730	1000	1500	2040	470	730	1000	1500	2040
Weight, kg	64	81	102	190	290	91	113	145	250	359
Pressure class, bar	PN6					PN10				
Steel quality	AISI 304L (1.4301)									
Insulation	19mm of condense free, closed cell isolation & 50mm of Soft polyurethane layer + PVC coating									

Dimensions & Connections



Dimensions / Model	VoluTEK RF – PN6					VoluTEK RF – PN10				
	600	800	1000	1400	2000	600	800	1000	1400	2000
Height - Z, mm	1883	1726	2276	2398	2109	1883	1726	2276	2398	2109
Diameter ØA mm	600	790	790	950	1200	600	790	790	950	1200
Diameter with isolation - ØX, mm	800	990	990	1150	1400	800	990	990	1150	1400
H, mm	1583	1389	1939	2031	1694	1583	1389	1939	2031	1694
G, mm	-	-	-	1156	1009	-	-	-	1156	1009
F, mm	213	269	269	281	324	213	269	269	281	324
E, mm	108	164	164	176	219	108	164	164	176	219
D, mm	1583	1389	1939	2031	1694	1583	1389	1939	2031	1694
C, mm	213	269	269	281	324	213	269	269	281	324
Connections										
Inlet – 1	G 1"	G 1"	G 1 ½"	G 2"	G 2"	G 1"	G 1"	G 1 ½"	G 2"	G 2"
Outlet – 2	G 1"	G 1"	G 1 ½"	G 2"	G 2"	G 1"	G 1"	G 1 ½"	G 2"	G 2"
Drainage point – 3	G 1"									
Additional conn. - 4, 5, 6	G ½"									
Air vent point - 7	G ½"									